

HOSE REEL | ST1 V5



EASY TO MOVE & OPERATE

ST1

Irrigated Area

1 to 10 hectare parcels



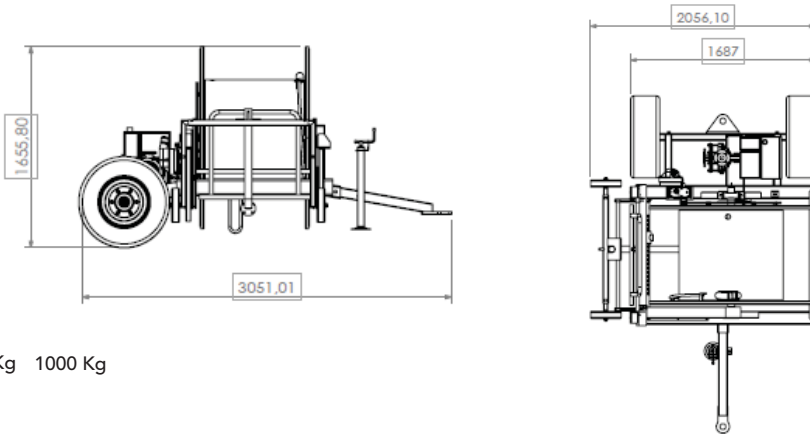
STANDARD EQUIPMENT

- Speed control
- Efficient turbine drive and gearbox
- High resistant “medium density” PE-hose
- Self-propelled turbine for automatic operation
- Safety devices for PTO and rewinding out of the drum
- Sprinkler set with 3 nozzles
- Automatic drum brake
- Hot galvanized chassis
- Strong anchoring with 2 independent stabilizers
- Pressure gauge and hours meter
- manual by-pass
- Automatic gun carriage pick-up with stabilizers and mechanical rotation (all models)
- Hose reel frame mounted diesel booster pump. Diesel engine, pressure between 4 and 7 bar
- Booster pump direct connected to water inlet of irrigation hose reel through pipework and couplers

Images above: Note: The model shown could be different than one supplied (roof isn't standard version).

ST1 V5

WEIGHT AND OVERALL DIMENSIONS



Kg 1000 Kg

Table data: This data is indicative and can change without warning.

TECHNICAL DATA

Model	Code	Hose P.E.B.D. Ø (mm)	Hose Length L (m)	Sprinkler
ST1 V5	63 S 200	63	200	Skipper

Hose mm	Nozzle mm	Inlet Pressure		Sprinkler Pressure bars	Throw m	Irrigated Width m	Capacity		Irrigated Area ha	Application Rate (mm)		
		bars					L/sec.	L/min.		30 m/h	50 m/h	80 m/h
63	14	200 m							200 m			
		3.2		2.0	24.0	46	3.25	195	0.92	8.5	5.1	3.2
	4.6		3.0	27.0	51	4.18	251	1.02	9.8	5.9	3.7	
	16	4.9		3.0	28.0	55	5.25	315	1.10	11.5	6.9	4.3
		6.4		4.0	32.0	61	6.01	364	1.22	11.9	7.2	4.5
	18	7.8		4.0	34.0	65	4.48	471	1.30	14.5	8.7	5.4
		8.6		4.5	36.0	68	8.26	496	1.36	14.6	8.8	5.5

DIESEL PUMP DATA

1
CYLINDER

12.0 | **8.8** @ 3600 rpm
HP | kW

30.0 @ 2200 rpm
Nm

Pump	Code	Performance	Average Fuel Consumption	Type
Kohler	15 LD 500	200 L/min - 65 mca Head	2 liters/ Hr	Air cooled Diesel
		300 L/min - 62 mca Head		
		400 L/min - 57 mca Head		



The Greenfield hose reel is ideal for wheat, cotton, chickpeas, bajra, potatoes, soybeans, sugar cane, maize, oil seeds and pulses.

For details on how the Greenfield hose reel can enhance your operation, contact your local Lindsay dealer.

GREENFIELD[™]
BY LINDSAY

LINDSAY[™]

2222 N. 111th St., Omaha, NE 68164
1-800-829-5300 • 1-402-829-6800 • www.lindsay.com



Lean, Clean and Green. Lindsay Corporation is committed to developing environmental awareness and implementing sustainable practices to reduce the use of and protect energy, water, and all other resources.



© 2014 Lindsay. All rights reserved. Zimmatic, FieldNET, Growsmart and Watertronics are trademarks or registered trademarks of the Lindsay Corporation. All brand names are trademarks or registered trademarks of their respective companies.

GF HOSE-REEL BRO
ENG-HIN-0706 300 1114